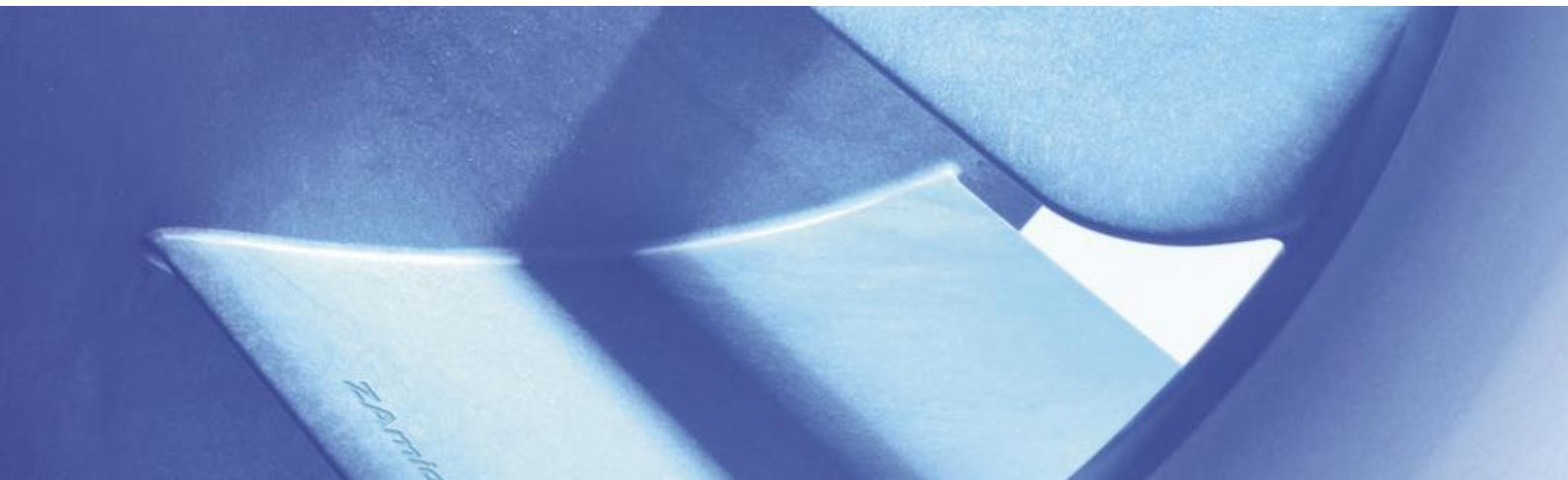


Movement by Perfection



The Royal League in **ventilation**, control and drive technology



[Product documentation](#)

Type
RH22V-2EP.WA.1R

Article number
113235

Product documentation

Customer

ZIEHL-ABEGG Contact

Project

ZIEHL-ABEGG Subsidiary
Brazil
ZIEHL-ABEGG do Brazil Imp.,
Exp. e Com. de Equipamentos
de Ventilação Ltda.
Rua Osasco, 1.295
Centro Empresarial Anhanguera
Cajamar -SP - CEP 07753-040
BRAZIL
Phone + 55 11 2898-0827
www.ziehl-abegg.com.br
info@ziehl-abegg.com.br

Type
RH22V-2EP.WA.1R

Article number
113235



Contents

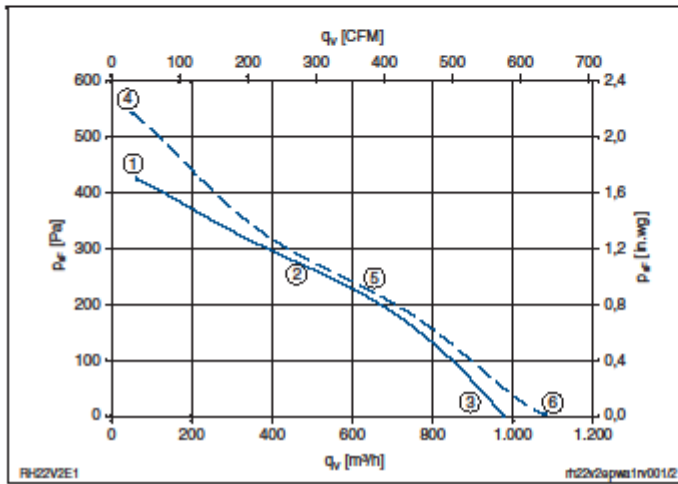
1.	Product specification	3
2.	Characteristic curve	4
3.	Drawing	5
4.	Connection diagram	6
5.	EU-Declaration of conformity	7

1. Product specification

Technical data

Article number	113235
Type	RH22V-2EP.WA.1R
Designation	Single inlet impeller with backward curved blades.
Rated values	1~230V 50Hz P ₁ 110W 0.46A ΔI=0% 2500/min 2.5uF/400V 60°C 1~230V % 60Hz P ₁ 140W 0,62A ΔI=0% 2510/min 2,5uF/400V 50°C
Electrical connection	Supply cable variable (axial + radial) 4x 0,50mm ² x 45cm
Min. operating temperature [°C]	-30
Cable quality	H03V2V2-F
Painting stator	Stator unpainted
coating rotor	Rotor with 1 coatpaint
Colour sheet rotor	1K RAL 5002 (ultramarine blue)
Material impeller	Impeller made of High Performance Composite Material
Painting impeller	unpainted
Colour impeller	black
Connection diagram	1360-177X
Installation position	H/Vu/Vo
Motor protection	thermal contact
Type of protection	zzz_xx
Thermal class	Thermal class 155
Balancing	6,3
Quality of bearings	ball bearing with long-time lubrication
Labelling UL/CSA	zzz_xx
Weight kg	1,91
ErP Data	Not subject to the regulations of ErP directive (P ₁ < 125 W)

2. Characteristic curve

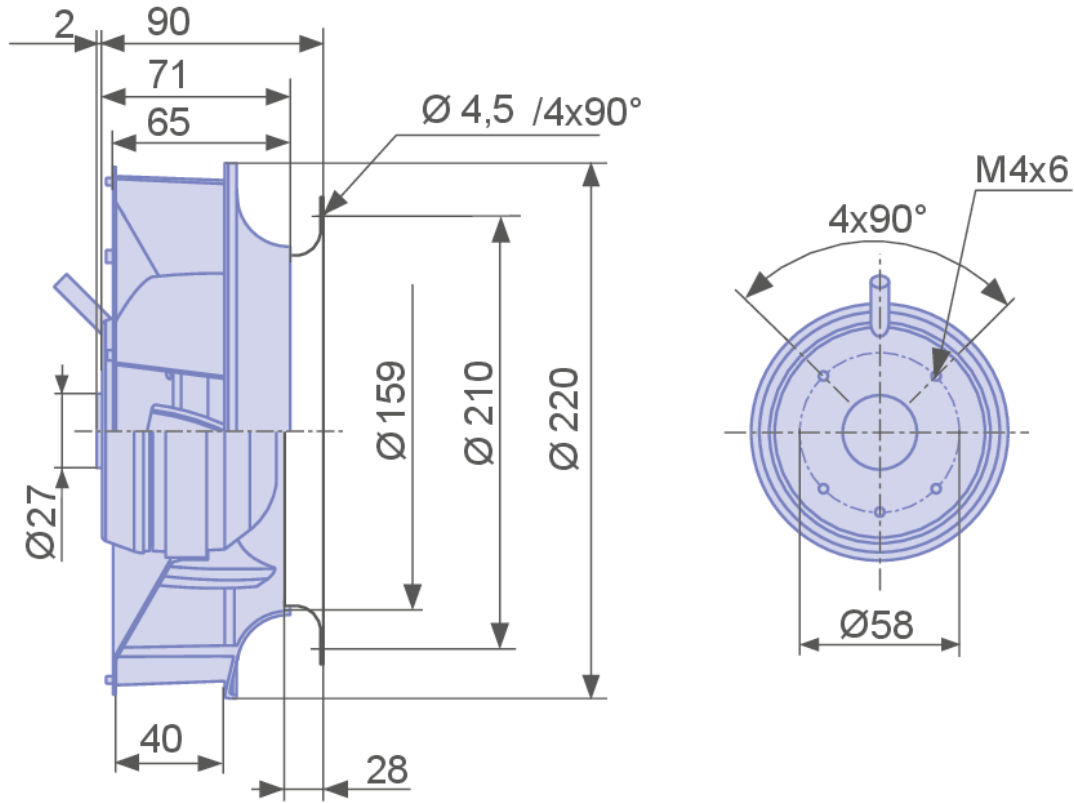


50Hz	U	I	P ₁	n	L _{max}
	V	A	W	min ⁻¹	dB
①	0,31	72	2720		
②	230	0,45	105	2560	65
③	0,28	90	2680	74	

60Hz	U	I	P ₁	n	L _{max}
	V	A	W	min ⁻¹	dB
④	0,46	105	3140		
⑤	230	0,61	140	2510	65
⑥	0,55	125	2860	76	

$$P_{e0} = 5,9 \cdot 10^{-5} \cdot q_v^2$$

3. Drawing



L-KL-2613-1-2

Dimensions in mm
Shown drawing is just to show the dimensions of the fan.

4. Connection diagram

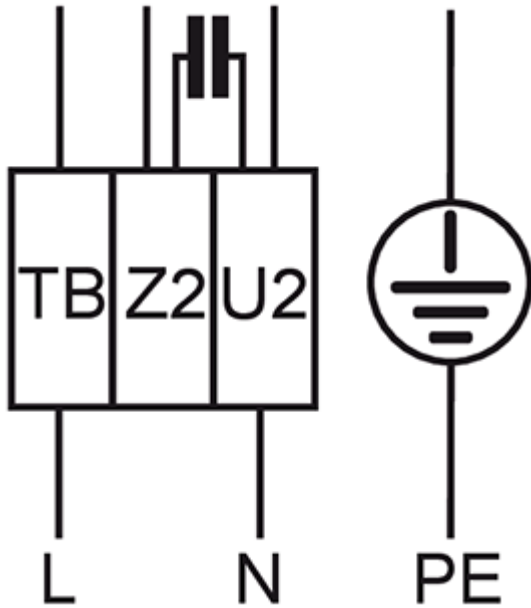
1360-177X

1~ Motor with capacitor and thermostatic switch.

U2 blue or grey

Z2 black

TB brown



5. EU-Declaration of conformity

EC-Declaration of conformity

- Translation -
(english)
ZA75-GB 1616 Index 011
00285644-GB

Manufacturer: ZIEHL-ABEGG SE
Heinz-Ziehl-Straße
74653 Künzelsau
Germany

The manufacturer is solely responsible for issuance of the declaration of conformity.

The products:

- External rotor motor MK.., MW..
- Axial fan FA.., FB.., FC.., FE.., FF.., FS.., FT.., FH.., FL.., FN.., FV.., DN.., VR.., VN.., ZC.., ZF.., ZN..
- Centrifugal fan RA.., RD.., RE.., RF.., RG.., RH.., RK.., RM.., RR.., RZ.., GR.., ER..
- Cross-flow fan QK.., QR.., QT.., QG..

The engine type:

- Asynchronous internal or external rotor motor
- Asynchronous internal or external rotor motor with integrated frequency inverter, except EDP system
- Electronically commutated (EC) internal or external rotor motor
- Electronically commutated internal or external rotor motor with integrated EC Controller, except EDP system

These products comply with the following EU directives:

- EMC Directive 2014/30/EU
- Low voltage directive 2014/35/EU
- ErP Directive 2009/125/EC, in conjunction with Regulation (EU) no. 327/2011

The following harmonized standards are in use:

EN 60034-1:2010 + Cor.:2010 EN 61000-6-3:2007 + A1:2011 + AC:2012
EN 60204-1:2006 + A1:2009 + AC:2010 EN 61000-6-2:2005 + AC:2005
EN 60529:1991 + A1:2000 + A2:2013

Compliance with the ErP Directive 2009/125/EC does not refer to external rotor motors MK.., MW..

All ErP-relevant information comprises measurements which are determined using a standardised measurement set-up. More details can be obtained from the manufacturer.

Compliance with the EMC Directive 2014/30 / EU refers only to those products when they are connected by mounting / operating instructions . If these products are integrated into a system or supplemented with other components (eg. sensing controls) and operated , the manufacturer or operator is responsible of the overall system for compliance with the EMC Directive 2014/30 / EU .

Künzelsau, 20.04.2016
(Location, date of issue)

ZIEHL-ABEGG SE
Dr. W. Angelis
Technical Director Air Movement Division
(Name, Function)



(Signature)

ZIEHL-ABEGG 

The Royal League Die Königsklasse



The Royal League in ventilation, control and drive technology

Intelligent control technology for any application

ZIEHL-ABEGG system capabilities:
Everything from a single source – perfectly matched for optimal performance

Please contact us. We would be pleased to design an individual solution for your requirements.

We would like to welcome you on our worldwide exhibitions. Please find our next exhibitions [here](#).